



IndigoVision

PTZ Camera Mount & Accessory Matrix

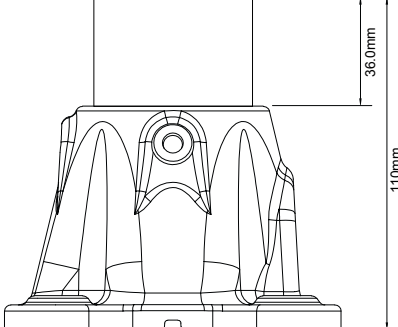
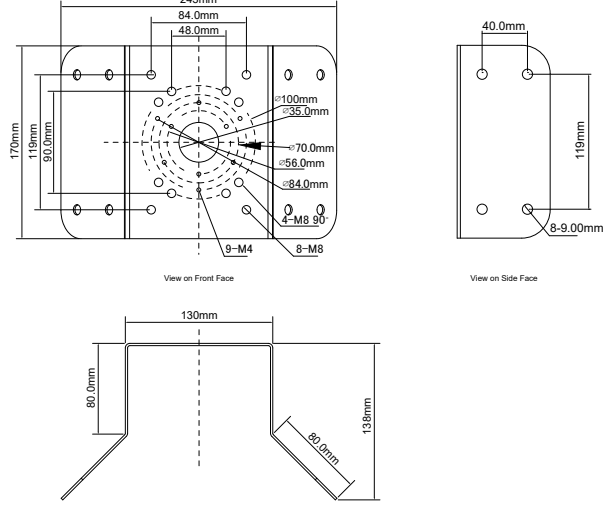
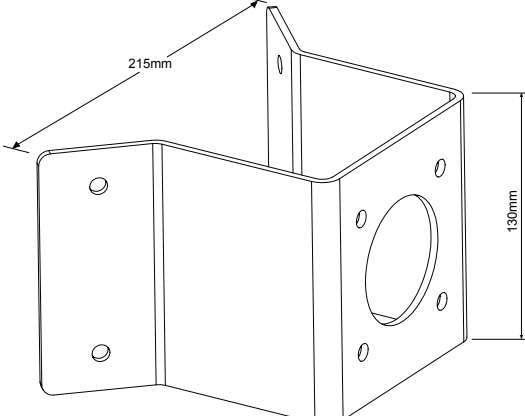
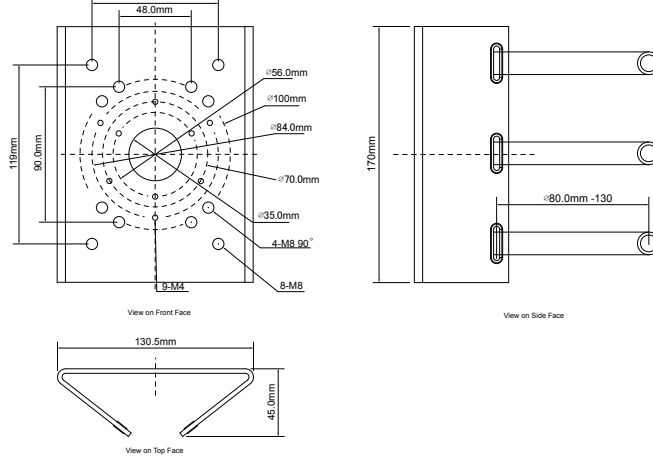
Mount/Accessory	BX Range, BX510 HD PTZ Dome		BX Range, BX520 HD Adaptive IR PTZ Dome		BX Range, BX520 4MP PTZ Dome		Ultra Range, Ultra 2K PTZ Dome	
	Internal	External	Standard	In-Ceiling	Pendant	In-Ceiling	Pendant	
In-Ceiling Mount	110245	-	-	-	-	-	-	
Wall Mount	-	110084	130181*	-	130173	-	110084	
Pendant Swan-Neck Mount	-	110085	-	-	-	-	110085	
Vertical Pole Mount	-	110086	130182	-	130174	-	110086	
1.5" NPT Adaptor (Male)	-	110087	130175	-	130185	-	110087	
1.5" NPT Adaptor (Female)	-	110088	-	-	-	-	110088	
Corner Mount Adaptor [^]	-	110082	130184	-	130184	-	110082	
Pole Mount Adaptor [^]	-	110096 (Black) ^{^^} 110196 (Grey) ^{^^}	130183	-	130183	-	110096 (Black) ^{^^} 110196 (Grey) ^{^^}	
Junction Box	-	-	130171	-	130171	-	-	
Power Junction Box	-	-	130172	-	130172	-	-	
Power Supplies	120006; 130176	120006; 130176	130176	130176	130176	110060; 130176	110060; 130176	
Cables	-	0.6m - 110172 3m - 110173 9m - 110174	-	-	-	-	0.6m - 110172 3m - 110173 9m - 110174	

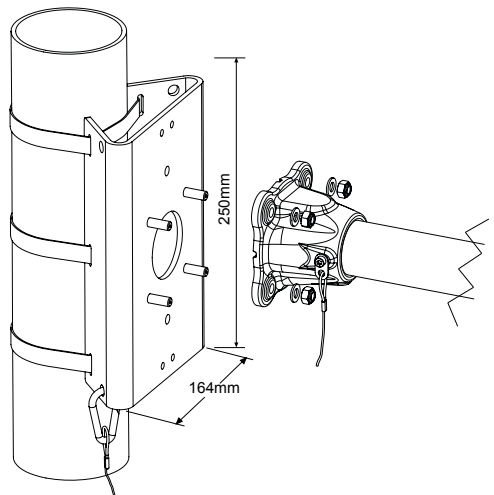
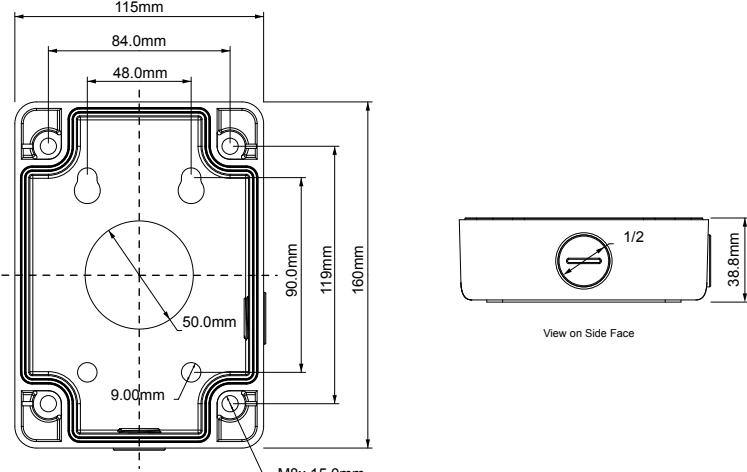
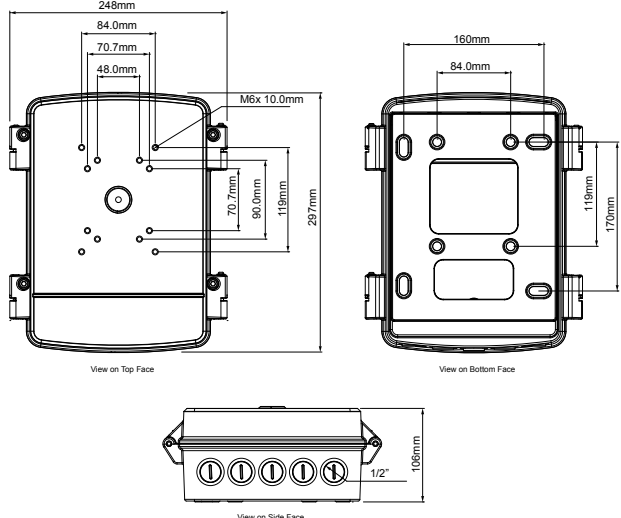
* Included with camera purchase. [^] Adaptors are compatible with the Wall Mount. ^{^^} The Pole Mount Adaptor can take a 0.5in strap.

IndigoVision PTZ Camera Mount & Accessory Matrix Appendix - Page 2

Mount Name	Camera Range	Dimensional Drawing	Product Codes
Wall Mount	BX Range		BX Range BX520 Std - 130181
Wall Mount	BX Range		BX Range BX520 Pen - 130173
Pendant Wall Mount	Ultra Range BX Range		Ultra Range Pen - 110084 BX Range BX510 Ext - 11084
Pendant Swan-Neck Mount	Ultra Range BX Range		Ultra Range Pen - 110085 BX Range BX510 Ext - 110085

Mount Name	Camera Range	Dimensional Drawing	Product Codes
Pendant Vertical Pole Mount	BX Range		BX Range BX520 Std - 130182 Pen - 130174
Pendant Vertical Pole Mount	Ultra Range BX Range		Ultra Range Pen - 110086 BX Range BX510 Ext - 110086
1.5" NPT Adaptor (Male)	BX Range		BX Range BX520 Std - 130175
1.5" NPT Adaptor (Male)	BX Range		BX Range BX520 Pen - 130185
1.5" NPT Adaptor (Male)	Ultra Range BX Range		Ultra Range Pen - 110087 BX Range BX510 Ext - 110087

Mount Name	Camera Range	Dimensional Drawing	Product Codes
1.5" NPT Adaptor (Female)	Ultra Range BX Range		Ultra Range Pen - 110088 BX Range BX510 Ext - 110088
Corner Mount Adaptor	BX Range		BX Range BX520 Std - 130184 Pen - 130184
Corner Mount Adaptor	Ultra Range BX Range		Ultra Range Pen - 110082 BX Range BX510 Ext - 110082
Pole Mount Adaptor	BX Range		BX Range BX520 Std - 130183 Pen - 130183

Mount Name	Camera Range	Dimensional Drawing	Product Codes
Pole Mount Adaptor	Ultra Range BX Range		<p>Ultra Range Pen - 110096 (Black) Pen - 110196 (Grey)</p> <p>BX Range BX510 Ext - 110096 (Black) Ext - 110196 (Grey)</p>
Junction Box	BX Range		<p>BX Range BX520 Std - 130171 Pen - 130171</p>
Power Junction Box	BX Range		<p>BX Range BX520 Std - 130172 Pen - 130172</p>

Power Supplies

Product Code	Input Voltage	Input Current (Max)	Input Connector	Output Voltage	Output Current (Max)	Output Connector	Operating Temperature Range	Dimensions (D x W x H)
110060	100-240VAC	1.9A	IEC320-C14	24V DC	3.33A	Bare Wires	0°C to 50°C	168mm x 78.0mm x 45.0mm
130176	100-240VAC	2.0A	IEC320-C14	56V DC	0.67A	RJ45 Female Connector	-20°C to 40°C	166mm x 80.0mm x 44.0mm
120006	100-240VAC	2.0A	IEC320-C14	30V DC	4.0A	Bare Wires	0°C to 40°C	148mm x 59mm x 32mm

Cables

Camera Range	Product Code	Description
Ultra Range + BX510	110172	Cable assembly and gland (0.6m)
	110173	Cable assembly and gland (3m)
	110174	Cable assembly and gland (9m)