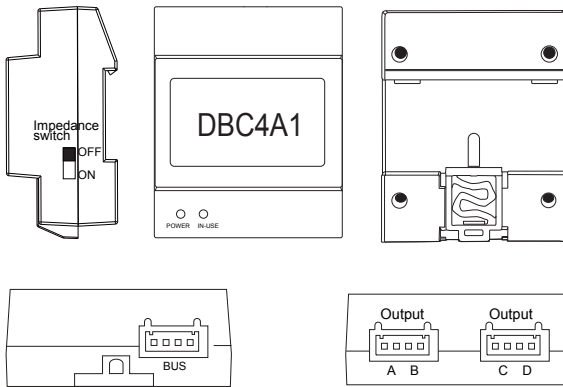


**Description:** DBC4A1 video distributor with 4 branches and isolation protection function.

- Can be used as 4 inputs(outdoor stations) controller or 4 outputs(indoor stations) controller;
- Separate isolation protection without affecting another devices on bus system;
- Short-circuit indication for convenient maintenance;
- Periodic self-detection mechanism for recovery.

## 1. Parts and Functions



**IN-USE:**Status indicator,it will light up when receives signal.

**POWER:**Working indicator,it will light up when plugs in power supply.

**Impedance Switch:**Video match switch,the last DBC4A1 at the end of the bus should set ON to match the video impedance,the power indicator will turn to orange after setting.

**Bus:**Input port,bus connection port.

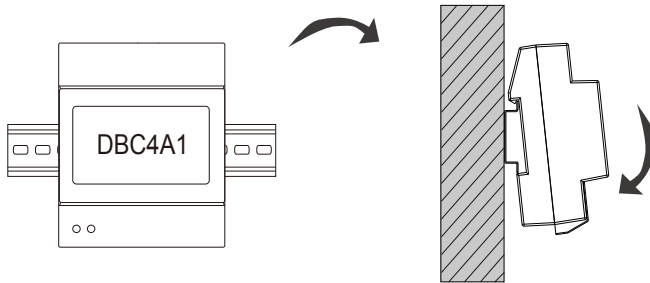
**A,B,C,D:**Output port,connect to indoor monitors or door stations.

### Note:

- **Operation mode:** Protection mode will be activated once its connected devices are short circuited, and power supply for ABCD outputs will be turn off, the flashing in-use indicator shows the distributor is in the protection mode.
  - **Self-detection:** System will auto check whether the short circuit is fixed or not, then recover the power supply, and in-user indication will be turn off;
  - **Detection period:** Self-detection will be happened regularly according rules, and in-use indicator will flash rapidly three times when check happens;
- 1<sup>st</sup> detection will be happened in 10 seconds after short circuit;

2<sup>nd</sup> detection will be happened in 60 seconds after 1st detection;  
 3<sup>rd</sup> detection will be happened in 5 minutes after 2nd detection;  
 4<sup>th</sup> detection will be happened in 10 minutes after 3rd detection;  
 5<sup>th</sup> hereafter detection will be happened every 30 minutes;

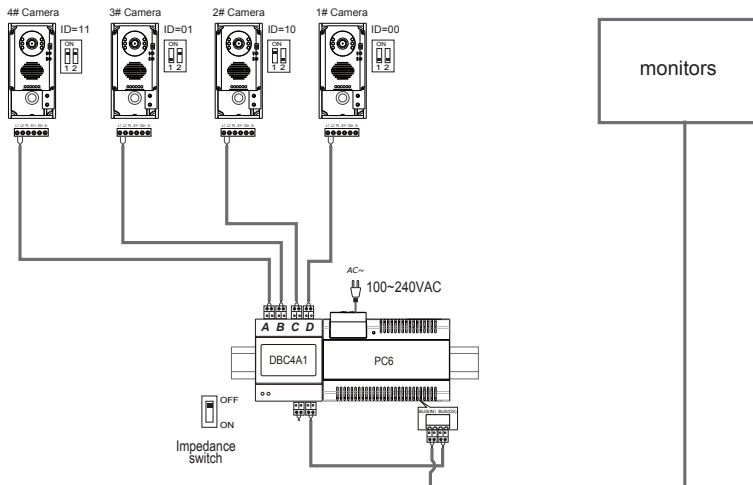
## 2. Unit Mounting



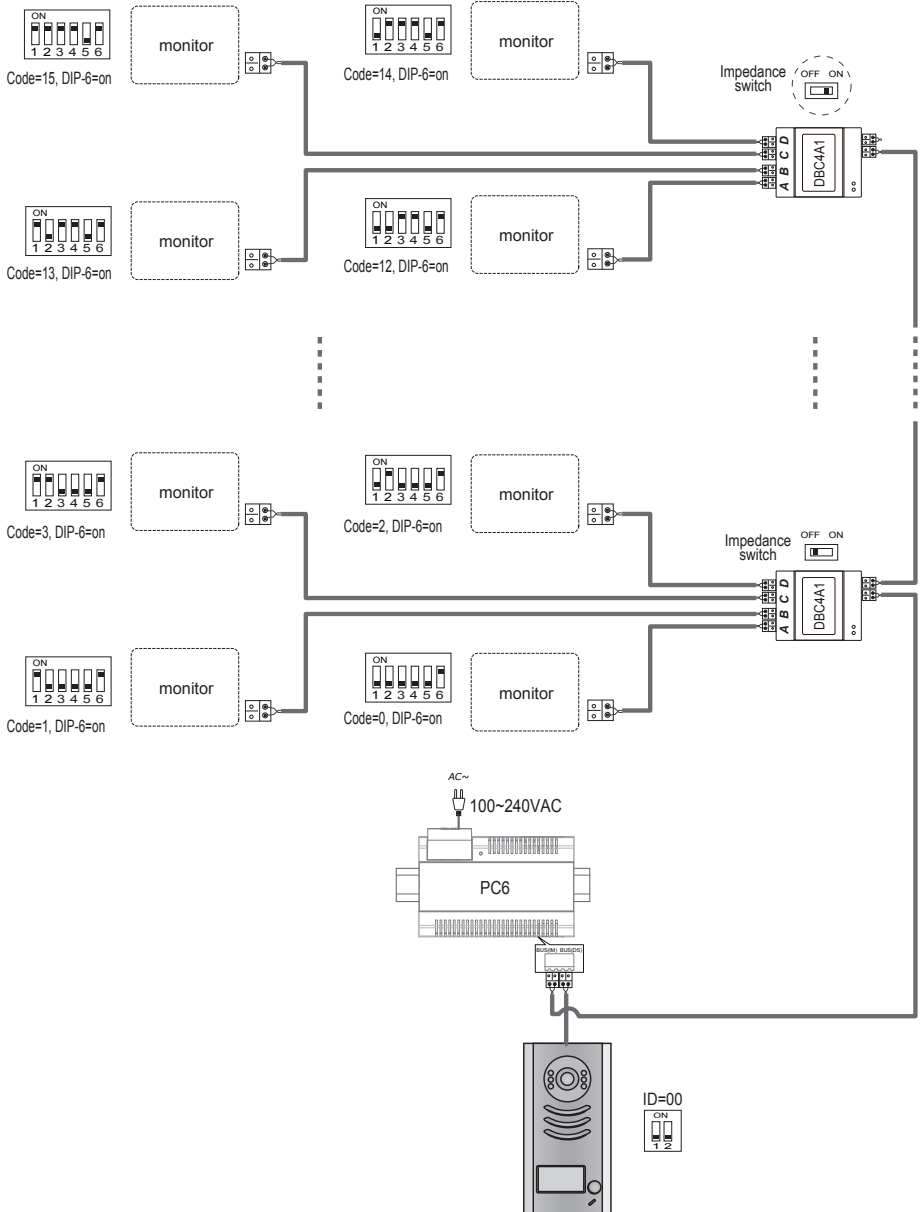
DIN Rail Mounting

## 3. System Wiring with DBC4A1

Mult Door Station Wiring:



# Mult Monitors Wiring:



## 5. Specification

Power Supply :	DC20~30V
Working Temperature:	-10°C~+40°C;
Wiring:	2 wires (non-polarity);
Dimension:	89(H)×71(W)×45(D)mm

**XtendLan** 