



# P-TRPV120 v1.0

## P-TRPV120 passive HD video and power transmitter (BNC plug 2.1/5.5)



Edition: 1 from 01.06.2017  
Supersedes the edition: -----

EN



### 1. Technical description.

The P-TRPV120 is a 1-channel passive HD video and power transmitter using twisted pair cable. The video signal is transmitted using one twisted pair, while the power is supplied using two twisted pair cables. The mentioned devices match the impedance of the coaxial cable (75Ω) to the impedance of the symmetrical cable (100Ω).

In order to achieve the best transmission quality and interference immunity, use UTP cable cat. 5 (or higher). Make sure the cable is properly prepared when making the connection. The RJ45 terminal crimp diagram is shown in Figure 1 presented below.

Caution! An improperly made cable may cause damage to the camera.

The P-TRPV120 module is terminated with two connectors:

- a) the BNC plug (HD-CVI / HD-TVI / AHD video transmission),
- b) JACK 2,1 / 5,5 power plug (camera power supply).

The module is equipped with two LEDs (located next to the RJ45 connector). Green LED indicating the supply voltage. Yellow LED is unused.

The P-TRPV120 module is usually mounted at the camera, while the 4-channel transmitter P-TRPV4 is usually mounted near the recorder. The P-TRPV4 module is not included (it must be purchased separately). An example diagram with both modules is shown in Figure 2.

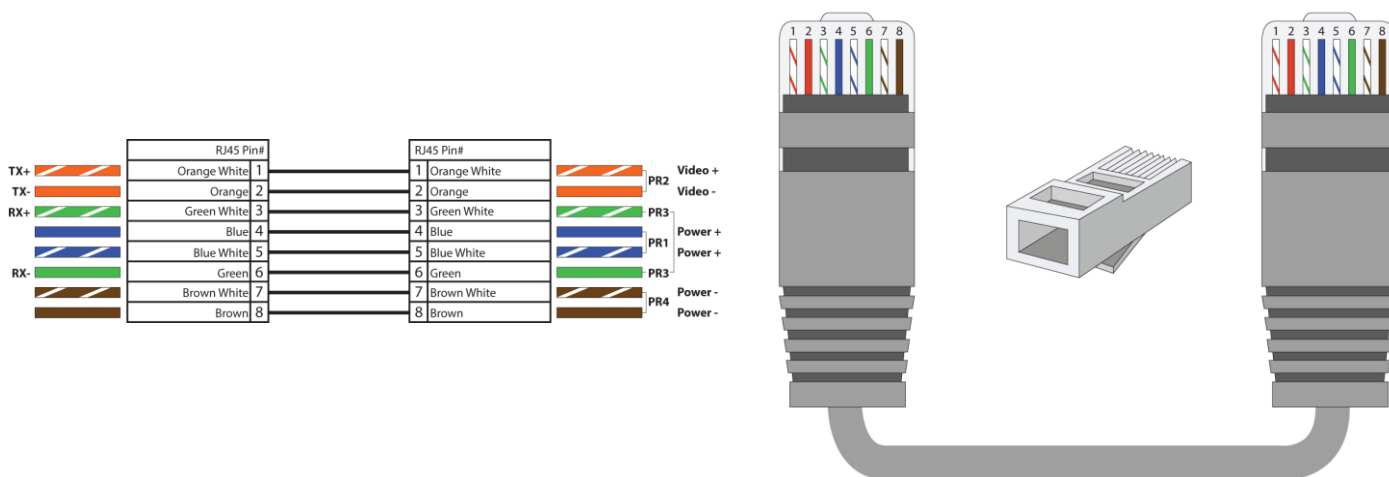


Fig.1. The RJ45-RJ45 (T-568B) wiring diagram.

## 2. Technical parameters.

The video signal	1,0V <sub>p-p</sub> , 75Ω
Video transmission range (UTP 5e or higher)	HD-CVI (720p) - 450m; HD-CVI (1080p)-250m HD-TVI (720p / 1080p) - 250m AHD (720p / 960p)-350m; AHD (1080p)-250m
Video bandwidth	0 ... 50 MHz ( -3 dB )
Impedance of the coaxial connector / connector type	75Ω / BNC plug (on the cable 100mm)
Impedance of the unbalanced connector / connector type	100Ω / RJ45 socket
Attenuation (loop-through)	-0,5dB / 5MHz
CMRR	60dB / 5MHz
The maximum permissible input voltage	12-15VDC
The maximum permissible current	1A (dla 12VDC)
Operation temperature	-10°C ÷ 55°C
Storage temperature	-40°C ÷ 60°C
Permissible relative humidity	<95%
Dimensions	22 × 10 × 40mm (with cable - 180mm length)
Net / gross weight	0,04kg
Declarations, warranty	CE, one year from the production date

## 3. Sample applications of the P- TRPV120

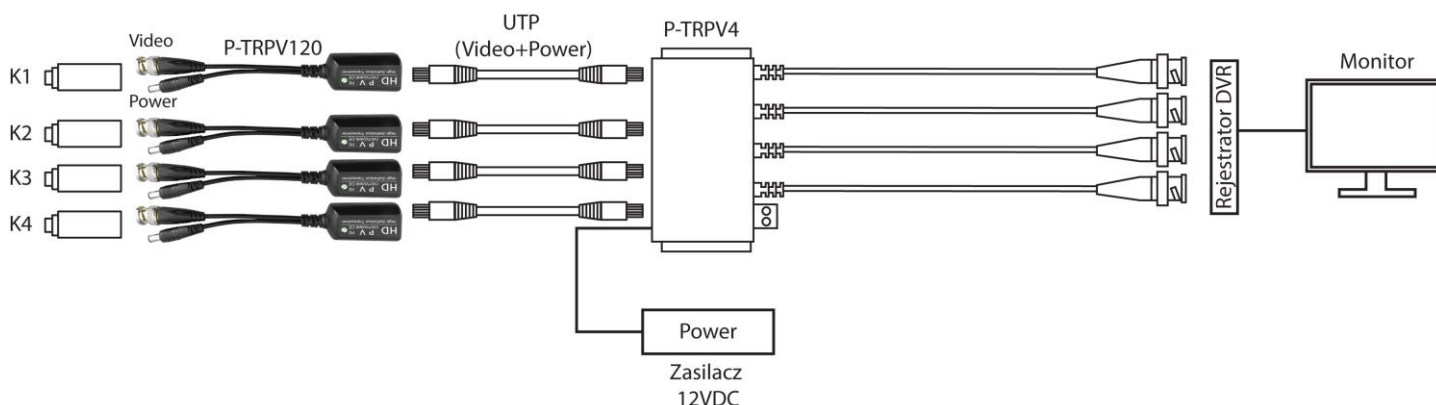


Fig. 2. Signal transmission from 4 cameras using four one-channel transmitters and one 4-channel transmitter.

### WEEE LABEL

Waste electrical and electronic equipment must not be disposed of with normal household waste. According to the European Union WEEE Directive, waste electrical and electronic equipment should be disposed of separately from normal household waste.

### Pulsar

Siedlec 150, 32-744 Łapczyca, Poland  
Tel. (+48) 14-610-19-40, Fax. (+48) 14-610-19-50  
e-mail: [biuro@pulsar.pl](mailto:biuro@pulsar.pl), [sales@pulsar.pl](mailto:sales@pulsar.pl)  
http:// [www.pulsar.pl](http://www.pulsar.pl), [www.zasilacze.pl](http://www.zasilacze.pl)