



Compact Day/Night Fixed Dome Camera with ABS (Adaptive Black Stretch)

Key Features

- High resolution: 540 TV lines
- High sensitivity with Simple Day/Night function: 1.2 lux (Color), 0.9 lux (B/W) at F2.0
- Signal-to-Noise Ratio: 50 dB (equivalent to AGC Off)
- ABS (Adaptive Black Stretch) enhances visibility of dark area without degrading image quality in bright area.
- Various adjustment features including BLC (Back-Light Compensation) and ATW (Auto Tracing White Balance)
- 2.5 mm Fixed Focal lens
- Internal/Multiplexed Vertical Drive (VD2) synchronization
- 3-way hinge (horizontal, vertical and swivel rotation) for easy installation
- Various mounting options: Surface mount, Mounting to a junction box (locally obtained)
- Compact design fits for various applications such as ATMs, shopping malls, hotels and hospitals.

Standard Accessories

Operating Instructions	1 pc.	Top cover fixing screw	1 pc.
------------------------------	-------	------------------------------	-------

Optional Accessory

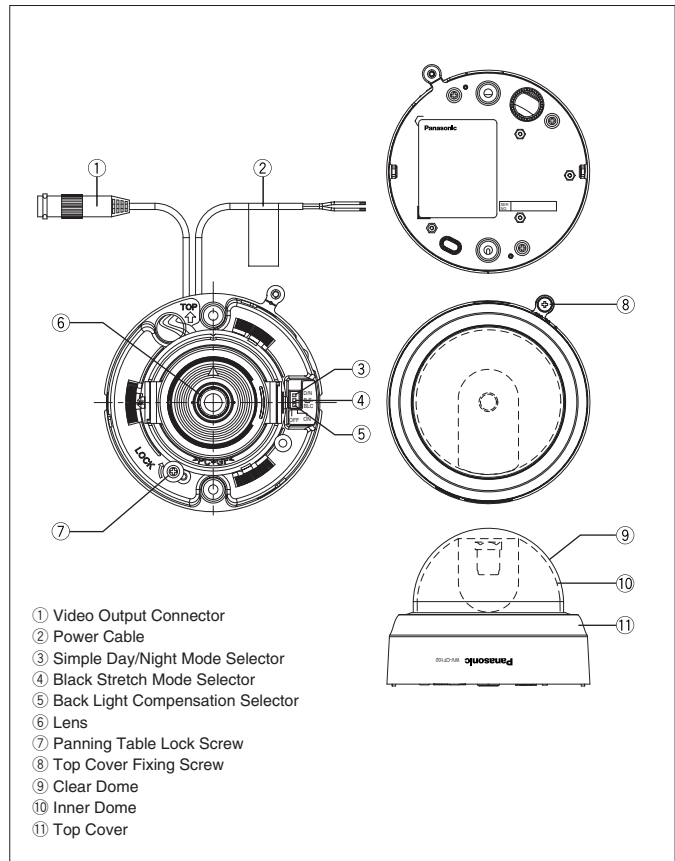
Smoke Dome Cover
WV-CF5S



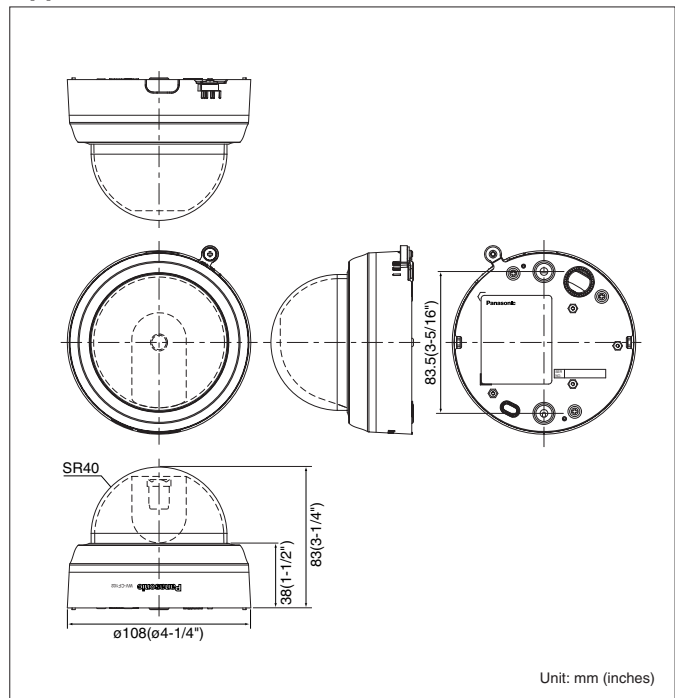
Specifications

TV System	PAL
Camera	
Image Sensor	1/4 inch interline transfer CCD
Effective Pixels	752 (H) x 582 (V)
Scanning Mode	2:1 interlace scan
Scanning Area	3.7 (H) x 2.7 (V) mm
Scanning Frequency	Horizontal: 15.625 kHz Vertical: 50 Hz
Scanning Line	625 lines
Horizontal Resolution	540 TV lines
Minimum Illumination	Color: 1.2 lux at F2.0 B/W: 0.9 lux at F2.0
Signal-to-Noise Ratio	50 dB (equivalent to AGC Off)
White Balance	ATW
Light Control	ELC only (for lens adjustment)
AGC	Always ON
Adaptive Black Stretch	ON / OFF with BLC ON / OFF
Black and White Mode	ON (Auto) / OFF (No IR filter moving)
Back Focus Adjustment	Manual
Synchronization	Internal (INT), Multiplexed Vertical Drive (VD2)
Lens	
Focal Length	2.5 mm
Angular Field of View	H: 90° V: 65°
Maximum Aperture Ratio	F2.0
Focusing Range	1.2 m ~ ∞ (3.9 ft. ~ ∞)
Pan and Tilt	
Panning Range	+180° ~ -140°
Tilting Range	±75°, Image tilt adjustment range: ±145°
Input/ Output	
Video Output	1.0 V [p-p] / PAL composite 75 Ω / BNC Connector Multiplexed VD2 capable
General	
Setup Method	Dip Switch
Safety/EMC Standard	CE (EN55022 ClassB, EN55024), GOST (GOST R 51558)
Power Source and Power Consumption	12 V DC, 180 mA
Ambient Operating Temperature	-10 °C ~ +50 °C (14 °F ~ 122 °F)
Ambient Operating Humidity	90 % or less (without condensation)
Dimensions	ø108 x 83 mm (H) (ø4-1/4" x 3-1/4" (H))
Weight (approx.)	300 g (0.66 lbs.)

Part Names and Functions



Appearance



Important

– Safety Precaution: carefully read the operating instructions and installation manual before using this product.

- All TV pictures are simulated.
- Weights and dimensions are approximate.
- Specifications are subject to change without notice.
- These products may be subject to export control regulations.

DISTRIBUTED BY:

Panasonic[®]

<http://panasonic.net/security/>

Printed in Japan (2A-042A)